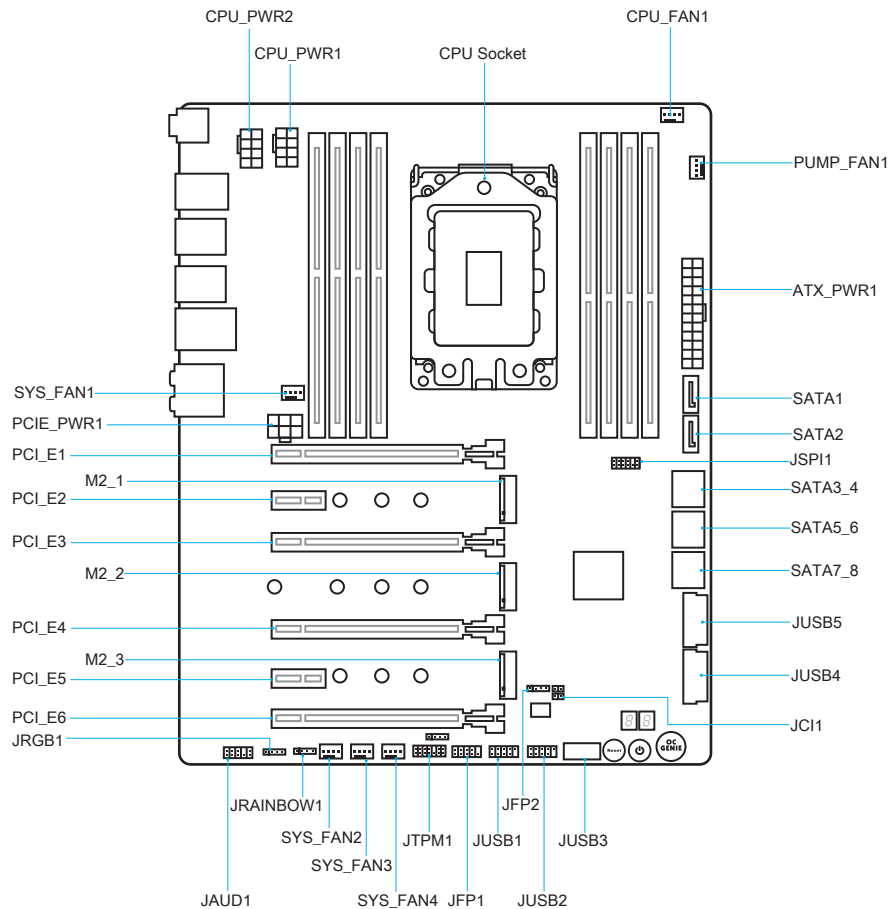


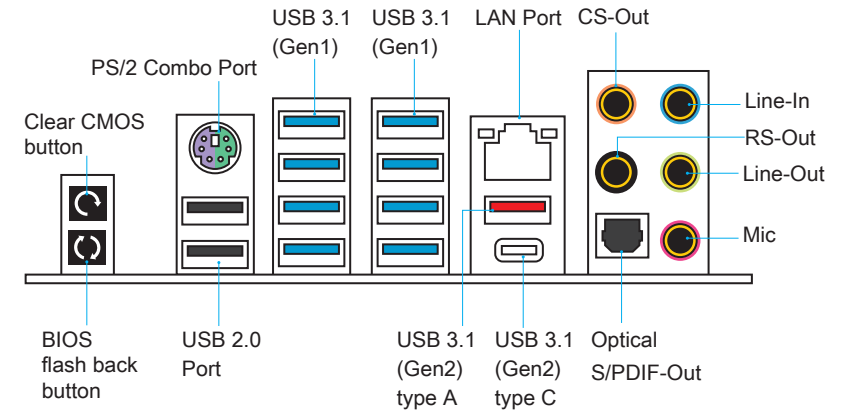
X399 SLI PLUS

(MS-7B09v2.0)
ATX Motherboard

Motherboard Components Overview



Rear I/O Panel



Motherboard Specification

CPU Support

- Supports AMD® Ryzen ThreadRipper Processor for SocketTR4
- AMD® X399 chipset

Memory Support

- 8x DDR4 memory slots supporting up to 128GB
- Supports DDR4 3600+(OC)/ 3466(OC)/ 3333(OC)/ 3200(OC)/ 3066(OC)/ 2933(OC)/ 2800(OC)/ 2667(OC)/ 2400/2133 MHz memory modules
- Quad channel memory architecture

Expansion Slots

- 2x PCIe 3.0 x16 slots, PCIE_1, PCIE_4
- 2x PCIe 3.0 x8 slots, PCIE_3, PCIE_6
- 2x PCIe 2.0 x1 slots

Multi-GPU Support

- Supports 4-Way AMD® CrossFire™ Technology

- Supports 4-Way NVIDIA® SLI™ Technology

Storage

- AMD® X399 chipset
 - ▶ 8x SATA 6Gb/s ports
- AMD® Ryzen ThreadRipper Processor
 - ▶ 2x M2_1, M2_3 ports, supports PCIe 3.0 x4 and SATA 6Gb/s standards, 4.2cm/ 6cm/ 8cm length SSD cards
 - ▶ 1x M2_2 port, supports PCIe 3.0 x4 and SATA 6Gb/s standards, 4.2cm/ 6cm/ 8cm/ 110cm length SSD cards
 - ▶ Supports RAID 0, RAID1, RAID 10

USB

- AMD® X399 chipset
 - ▶ 6x USB 2.0 ports (2 ports on the back panel, 4 ports available through the internal USB connectors)
 - ▶ 4x USB 3.1 Gen1 (SuperSpeed USB) ports (4 ports available through the internal USB connectors)

Motherboard Specification

- ▶ 1x USB 3.1 Gen2 (SuperSpeed USB 10Gbps) port through the internal USB connector
- AMD® Ryzen ThreadRipper Processor
 - ▶ 8x USB 3.1 Gen1 (SuperSpeed USB) ports (8 ports on the back panel)
- ASMedia® ASM3142 Chipset
 - ▶ 2x USB 3.1 Gen2 (SuperSpeed USB 10Gbps) ports

Audio

- Realtek® ALC1220 Codec
- 7.1-Channel High Definition Audio
- Supports S/PDIF output

LAN

- 1x Intel® I211 Gigabit LAN controller

Back Panel Connectors

- 1x clear CMOS & BIOS flash back button
- 1x PS/2 keyboard/ mouse combo port
- 2x USB 2.0 ports
- 8x USB 3.1 Gen1 ports
- 2x USB 3.1 Gen2 ports (Type A*1+Type C*1)
- 1x LAN (RJ45) port
- 5x OFC audio jacks
- 1x Optical S/PDIF out connector

Internal Connectors

- 1x 24-pin ATX main power connector
- 2x 8-pin ATX 12V power connectors
- 1x 6-pin PCIE power connector
- 8x SATA 6Gb/s connectors
- 2x USB 2.0 connectors (supports additional 4 USB 2.0 ports)
- 2x USB 3.1 Gen1 connectors (supports additional 4 USB 3.1 Gen1 ports)
- 1x USB 3.1 Gen2 Type C connector
- 1x 4-pin CPU fan connector
- 1x 4-pin PUMP fan connector (support up to 2A)
- 4x 4-pin system fan connectors
- 1x Front panel audio connector

- 2x System front panel connectors
- 1x TPM module connector
- 1x Chassis Intrusion connector
- 2x LED connectors
- 1x clear CMOS header
- 1x Rest Button
- 1x Power Button
- 1x OC Button

I/O Controller

- NUVOTON NCT6795D-M Controller Chip

Hardware Monitor

- CPU/System temperature detection
- CPU/System fan speed detection
- CPU/System fan speed control

BIOS Features

- 1x 128 Mb flash
- UEFI AMI BIOS
- Multi-language

Special Features

- Audio Boost 4
- Triple Turbo M.2
- Pump Fan
- Smart Fan Control
- Mystic Light
- Mystic Light Extension
- Mystic light SYNC
- Military Class 5
- EZ DEBUG LED
- M.2 Shield
- PCI-E Steel Armor
- Multi GPU – SLI Technology
- Multi GPU – CrossFire Technology
- DDR4 Boost
- GAME Boost (go to 11)
- OC Engine (Clock gen)
- USB with type A+C
- Lightning USB (3142)

- Front Lightning USB (20PIN)
- 7000+ Quality Test
- VR Ready
- Click BIOS 5
- BIOS FLASHBACK+
- Quadro SLI Ready
- Quadro Ready
- FirePro ready
- Network Manager

MSI Exclusive features

- COMMAND CENTER
- LIVE UPDATE 6
- SUPER CHARGER
- RAMDISK
- X-Boost
- MSI SMART TOOL
- PCI-E Steel Armor
- CPU-Z MSI GAMING
- CLICK BIOS 5
- MYSTIC LIGHT EXTENSION
- Norton Internet Security Solution
- Google Chrome™ ,Google Toolbar, Google Drive

Form Factor

- ATX Form Factor
- 30.4 cm x 24.3 cm